

AXOR Urquiola
Single lever shower mixer for exposed installation
 Surfaces: **Chrome** Article Number: **11620000**



Description

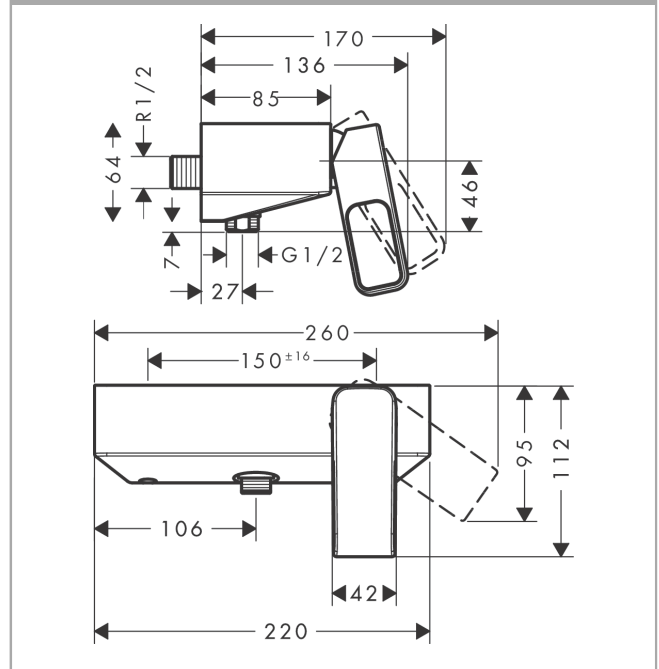
product features

- 1 outlet
- connection type: s-shaped connections
- centre distance: 150 ± 16 mm
- flow rate at 3 bar: 22 l/min
- ceramic cartridge
- min. operating pressure: 1 bar
- max. operating pressure: 10 bar
- temperature limitation adjustable
- non-return valve
- with silencer
- suitable for continuous flow water heaters
- hose connection DN15
- connection dimension: DN15

Product image



Scale drawing



AXOR Urquiola
Single lever shower mixer for exposed installation
 Surfaces: **Chrome** Article Number: **11620000**



Flowchart

